

3. TROUBLESHOOTING GUIDE CONTINUED

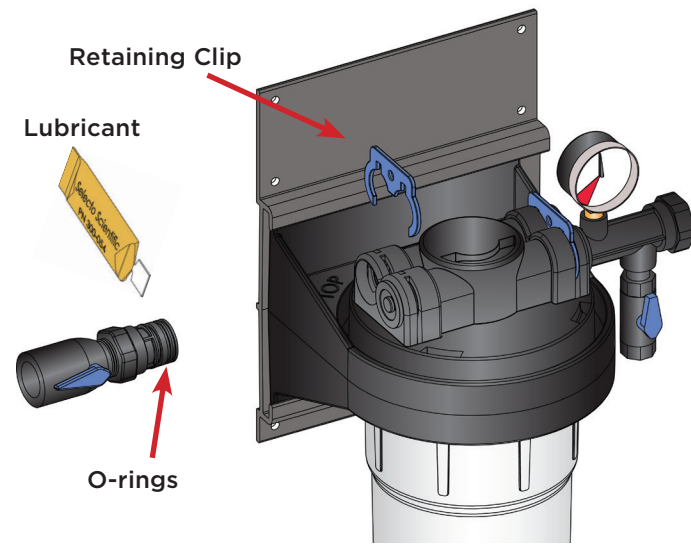


Figure A

For KPMF/SMF filters: While looking at the top of the filter system, grasp the cartridge and turn slightly counterclockwise, when viewed from bottom, and then back clockwise, making sure that the tabs on the cartridge are fully engaged into the filter head. The white locking tabs on the cartridge should be fully visible in the 4 recesses on the black filterhead. See **Figure B** below.

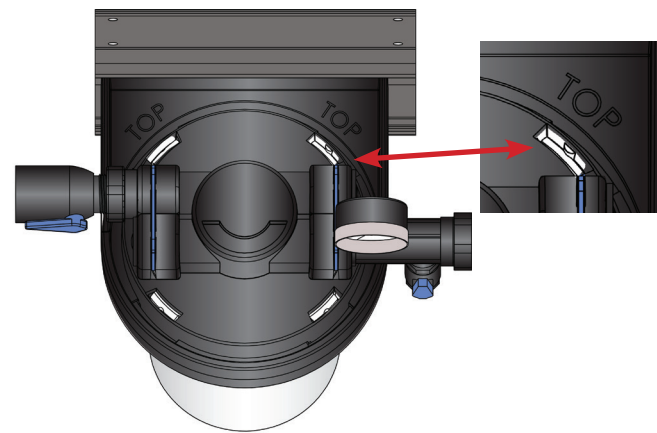


Figure B

For HPF filters: While looking at the top of the filter system, grasp the cartridge and turn slightly clockwise, when viewed from bottom, and then back counterclockwise, making sure that the tabs on the cartridge are fully engaged into the filter head. The black locking tabs on the cartridge should be fully visible in the 4 recesses on the black filter head. See **Figure B** above.

If leakage occurs, remove cartridge by following the procedures outlined in Step 1 of the Cartridge Changeout Instructions on Page 4. Inspect the O-ring on the top of the cartridge for damage or contaminants.

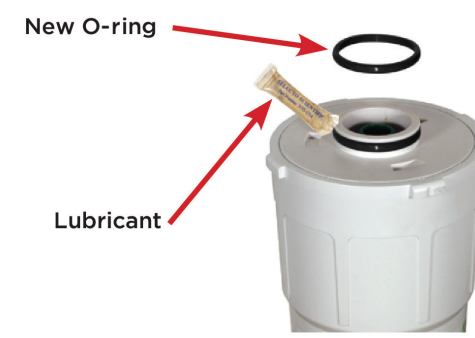


Figure C

Replace with a new O-ring (supplied) and lubricate well with lubricant supplied. Replace the cartridge by following the procedures outlined in Step 2 of the Cartridge Changeout Instructions on Page 4. See **Figure C** at above.

By-passing the Filter System

The purpose of the KineticoPRO KPMF/SMF/HPF Modular Filter System is to provide consistent safe, clean ingredient water. By-passing the system is not recommended. However, in the case of a damaged or clogged filter cartridge, it may sometimes become necessary to By-pass the system. This may be accomplished by removing the filter cartridge by following the procedures outlined in Step 1 of the Cartridge Changeout Instructions on Page 4 and installing the By-pass Plug in its place. When installing the By-pass Plug, it is necessary to properly lubricate the O-ring using the lubricant provided. Install the plug the same way as for a replacement cartridge by following the procedures outlined in Step 2 of the Cartridge Changeout Instructions on Page 4. Be certain to properly engage the ears on the By-pass Plug fully into the round locking tab in the filter head as outlined on the previous page. See **Figure D** below.

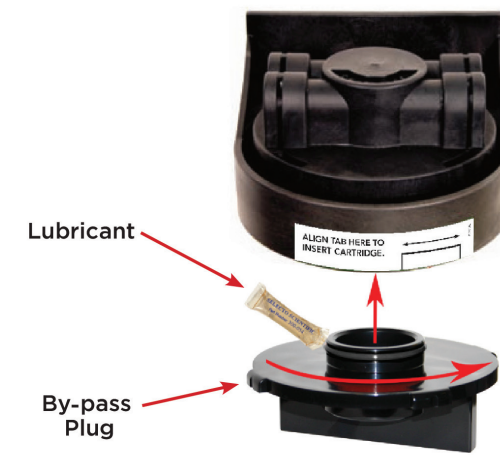


Figure D

KineticoPRO KPMF AND SELECTO SMF/HPF OWNER'S MANUAL



PURE WATER PEACE OF MIND

QUESTIONS? Please contact your
KineticoPRO representative
1.800.321.5022

THANK YOU
FOR YOUR
PARTNERSHIP

We are honored
that you chose
to purchase our
KineticoPRO®
water filtration
system to help
provide safe,
clean water.

TABLE OF CONTENTS:

1. Installation Guide
2. Cartridge Changeout Instructions
3. Troubleshooting Guide

The KineticoPRO KPMF and Selecto SMF/HPF Series systems are carefully designed to reduce sediment, dirt, foul-odors and improve taste. These systems can also help to prevent scaling and corrosion in your equipment. Please follow these instructions with care.

1. INSTALLATION GUIDE

Things to know prior to installation:

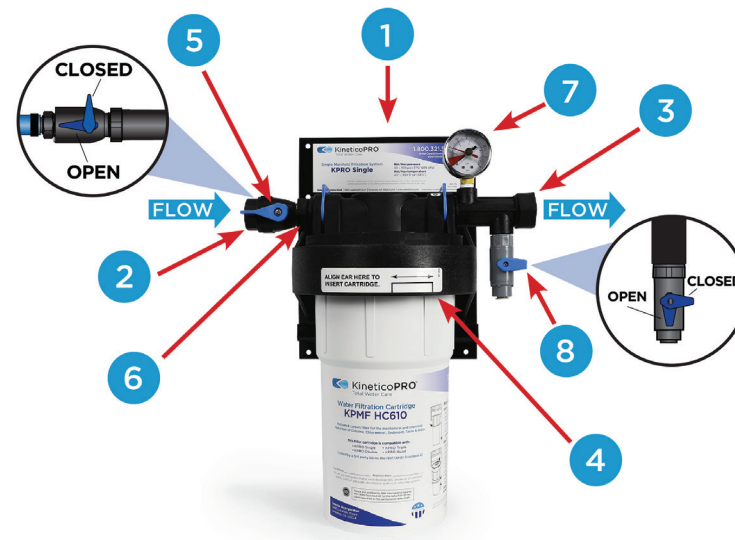
- The KineticoPRO and Selecto water treatment systems are not to be used where water is microbiologically unsafe or with water of unknown quality without adequate disinfection before or after unit.
- DO NOT install where line pressure is outside of 40-100 psi, or where temperature is lower than 40°F or exceeds 100°F.
- Installation MUST comply with existing state or local plumbing codes.
- The unit(s) must be protected against freezing. Failure to do so may result in damage or water leakage.
- Water filtration systems are designed for cold water line use only. Passing hot water through these systems may cause significant damage to filter housing.
- Filter(s) must always be in contact with water.
- Recommended pH range: 6.0 to 8.5.
- Recommended inlet pressure 60 psi.
- Tools needed for installation: drill, screwdriver, wall anchors, tube cutters. If hard plumbing: lead free solder, heating device, and flux.

Unpacking product:

- Remove filter system from packaging and inspect for potential shipping damage. Notify shipping company immediately if damage has occurred.
- Use proper lifting techniques to carefully lift filter system from the box and inspect thoroughly.

Positioning water filtration system:

- Water filter should be mounted upright on a vertical surface without obstructions.
- Locate an installation location that is near the equipment it will be supplying with water. Ensure the location is clear from possible damage from day-to-day operations.
- Ensure there is a minimum of 6 inches of clearance below filter cartridge to enable filter changeouts as needed.



Mounting

1. Measure backplate **1** of filter system and mark hole locations on wall.
 - a. Ensure marks are level. Drill holes for anchors, if required. Anchors must be properly sized to allow for the wet weight of the filter system.
 - b. Secure backplate to the wall.

Water Connections

2. For the Inlet **2** use appropriate 3/4" fittings and tubing to allow for a flow rate of 5 to 10 Gallons Per Minute (GPM). Do not overtighten fittings into plastic parts! Warranty will be voided if parts are cracked and/or broken due to misuse and/or overtightening! Use only KineticoPRO & Selecto approved KPMF, SMF and HPF modular fittings.

- a. Connect water filter inlet to cold water supply. Use approved flexible beverage tubing where possible with correct sized tube clamps. If hard plumbing is necessary, then use only lead-free solder and protect filter housing from excessive heat. Do not solder within 12" of plastic parts.

3. From outlet **3** of water filter use no less than 1/2" ID tubing to all specified equipment. It is only permissible to decrease line size when multiple lines are being used.

- Teeing the tubing should be done appropriately, for example 1/2" x 1/2" x 1/2". This is only to be done at equipment location if line is to be used for other equipment.

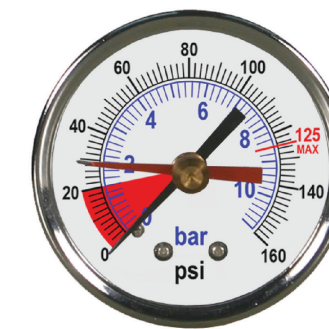
Initializing Water Filter

4. Check to be sure that the cartridge is properly installed:

For KPMF & SMF filters: Turn the cartridge counterclockwise when looking at the bottom of the cartridge, and then back counterclockwise until the positive stop is felt. **4**

For HPF filters: Turn the cartridge clockwise when looking at the bottom of the cartridge, and then back counterclockwise until the positive stop is felt. **4** (Also see Cartridge Changeout Instructions and Troubleshooting Guide.)

5. Slowly open inlet valve **5** on manifold.
6. Open the flush valve **8** on the outlet side of manifold.
7. Flush water filtration system for 5 minutes.
8. Close the flush valve. **8**
9. Purge all air from the drink system water lines by pressing the water valve on drink dispenser for approximately 1 minute, or until no air found in lines and water flowing freely.
NOTE: The KPMF and HPF Triple suite filter systems require steps 4 through 9 be completed on both the Double and Single manifolds.
10. System is now operational. Go back and check every connection for possible leaks and fix as needed.



Cartridge Change Schedule

11. Change cartridge at least once yearly, or when the needle on the pressure gauge **7** stays in the "Red" area.

a. When the line pressure downstream of the filter housing drops to 30 psi or below during system operation, the cartridge(s) needs to be replaced. Occasional dips below 30 psi and back are normal.

b. See system backplate for replacement cartridge order information.

2. CARTRIDGE CHANGE- OUT INSTRUCTIONS

Step #1

- Shut off inlet valve on manifold. **5**
- Open the flush valve **8** located on outlet side of manifold to release pressure.
- Close the flush valve. **8**
- **For KPMF/SMF filters:** Turn filter counterclockwise (as viewed from bottom). Pull down to remove.
- **For HPF filters:** Turn filter clockwise (as viewed from bottom). Pull down to remove.

CAUTION: filter contains water and may be heavy.



Step 1



Step 2

Step #2

- Remove and discard plastic cap from top of new filter.
- Generously lubricate O-ring.
- Align tabs on filter with notches in manifold. **4**
- Push upward to insert filter. ENSURE filter is fully inserted.
- **For KPMF/SMF filters:** Turn cartridge clockwise (as viewed from bottom), until a definite stop is felt, and filter is seated.

For HPF filters: Turn the cartridge clockwise when looking at the bottom of the cartridge, and then back counterclockwise until the positive stop is felt.

- Slowly open inlet valve on manifold. **5**
- Open the flush valve **8** on the outlet side of manifold.
- Flush system for 5 minutes.
- Close the flush valve. **8**

Change out filter annually or when capacity has been reached.

3. TROUBLESHOOTING GUIDE

Leaks

All KPMF, SMF, and HPF Series Modular Filter Systems are factory pressure tested. It is normal to experience leaks of a few drops of water at the various O-ring sealed junction points at initial start-up only. This will subside after a few minutes as soon as the O-rings are pressurized and seat properly. For any leaks lasting longer than this, or those that are more than a few drops, please see the troubleshooting points below. Note: The inlet valve **5** must be turned OFF (handle in vertical position), and pressure relieved by pushing the Red pressure relief button **6** before attempting to fix any leakage problems.

Leaks at Threaded Connection Points

This type of leak should be repaired by removing the fitting and applying additional thread sealant compound. Do not attempt to repair by tightening the fitting more. Overtightening fittings into plastic parts may cause the plastic to crack.

Leaks at Junction of Modular Fittings to Filter Head

If leaking persists at the junction points, remove the retainer clip carefully by inserting a screwdriver or other object into to the hole and gently prying UP to remove. Gently remove the leaking fitting by pulling straight out. Inspect O-ring and groove for foreign matter or contaminant. If clean then apply additional lubricant (supplied) to the O-ring and re-insert the fitting by gently pushing all the way in until the shoulder on the fitting contacts the filter head. Examine the retaining clip for any cracks from removal and re-insert by pushing straight down until it is all the way in. If retaining clip is cracked or stretched in any way, discard it and use a new one (supplied). If the above procedure does not cure the leak, repeat the processes above, replacing the O-ring (supplied). See **Figure A** on page 5.